



WASHING CLOSETS

Closets for washing shelves, frames, carts, trays, etc.



WASHING CLOSETS LAES 20,12

Washing closets with mobile pressure showers for shelves measuring 1200x1200x2000 mm.

WASHING CLOSETS

Closets for washing shelves, frames, carts, trays, etc.

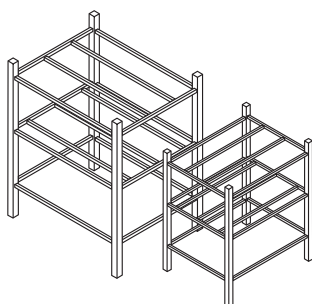
When the shelves enter the unit a washing cycle automatically begins, entering a re-circulation circuit. Rinsing takes place immediately afterwards via an upper sprinkler fed directly from the mains.

ALES Model

The circuit is made up of a pressure pump, tank, water heating unit and fixed roller batteries duly positioned and steered towards the shelves.

LAES Model

The circuit is made up of a pressure pump, tank, water-heating unit and mobile battery of steered rollers. Washing takes place via a sweeping movement when the battery of rollers advances and retreats in cycles.



Dimensions:

LAES 20-12, ALES-12

maximum: 1200*1200*2000mm.

LAES 30-12, ALES-13

maximum: 1200*1200*3000mm.

*Guides and supports to position shelves.
Pressure pump with stainless steel body aisi 304.
Electrical system with safety elements.
Built in stainless steel aisi 304.
Built according to the European Directive 89/392CEE.*

Optional

*Heating unit with elements.
Roll up door.
Pneumatic door.
2nd shelf entry exit door.
Detergent supply pump.
Shelf lift.
Water/water heat exchanger .
Extractor for deck beam exit.*

Model: Type:	LAES		ALES	
	20,12	30,12	12	13
Length:	2.800mm.	2.800mm	2.400mm.	2.400mm.
Width:	2.200mm.	2.200mm	2.000mm.	2.000mm.
Height:	3560mm.	4.560mm	3375mm.	4.375mm.
Weight:	1.600 kg.	1.980kg.	670 kg.	840 kg.
Power:	20.5 CV.	20.5 CV.	20 .CV.	20 CV.
Electrical consumption:	15,3 KW.	15.3 KW.	15 KW.	15 KW.
Height of the cavity	500mm.	500mm.	500mm.	500mm.
Vapour consumption:	200 k/h.	200 kg/h.	200 kg/h.	200 kg/h.
Compressed air consumption:	0.3m3/h.	0.3m3/h.	0.3m3/h.	0.3m3/h.

